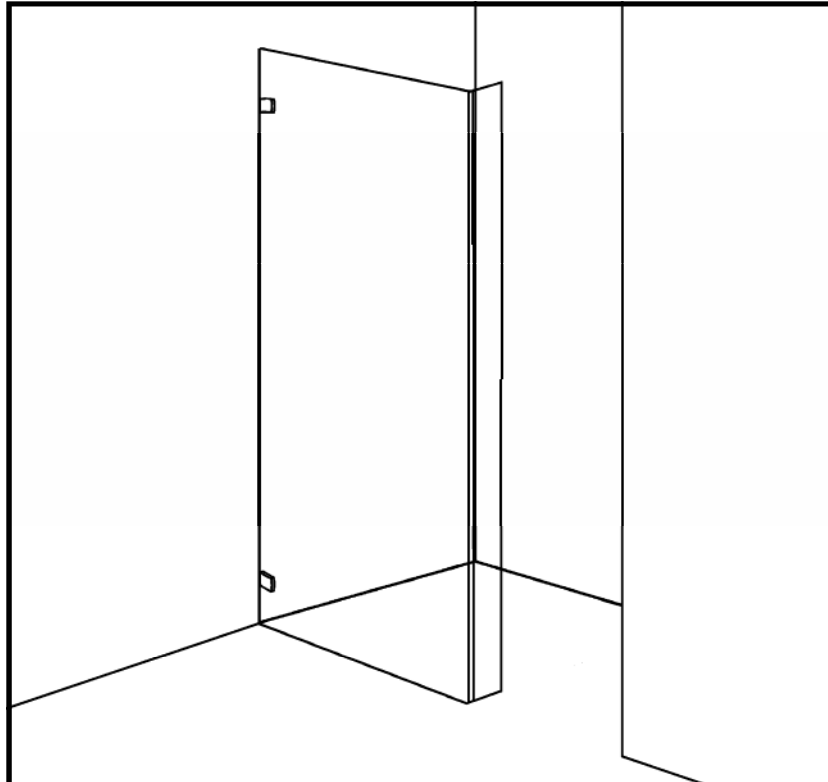




# INSTALLATION INSTRUCTIONS

## DESIGNA ULTRABOND WALK IN



### **IMPORTANT - PLEASE READ**

- **Please read these instructions carefully before assembly and installation.**
- Please inspect immediately upon receipt for damage that may have been caused in transit.
- Damage reported later cannot be accepted.
- We recommend that two people handle the assembly of the enclosure.
- Before installation, you must ensure that the shower tray is level in all directions and completely sealed to the tiles.
- This product must only be fitted onto a tiled or waterproof surface.
- The wall plugs provided are for use on solid walls and floors only. Any other surface will require alternative fixings.
- The enclosure, when fitted, must not overhang the front of the tray (where used).
- **Please leave this instruction with the customer.**

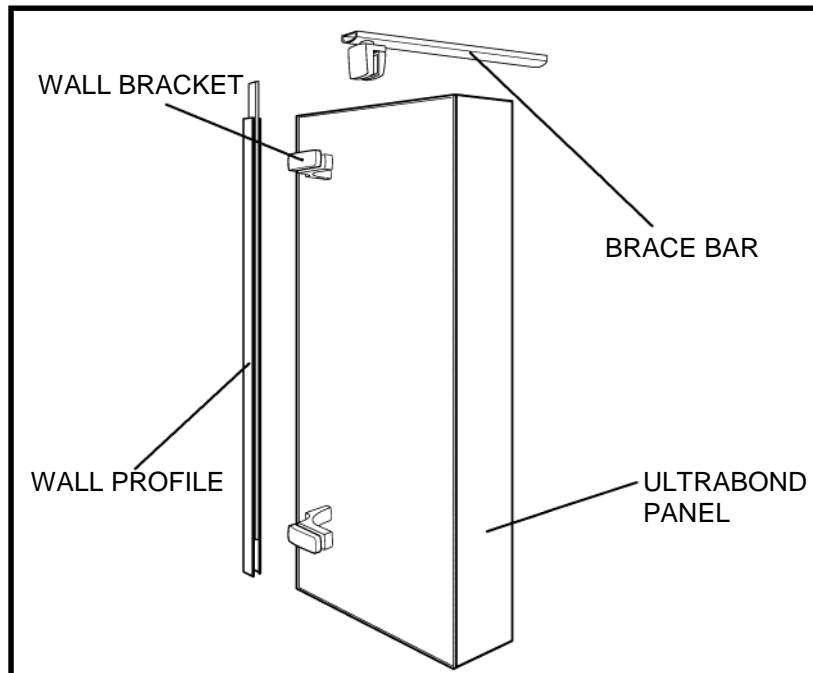


## HINTS & TIPS


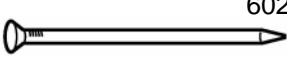




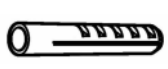








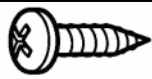
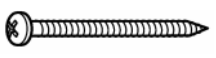
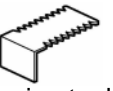
- Surfaces to be siliconed should be de-greased in accordance with silicone suppliers instructions, observing any safety instructions.
- Ensure there are no hidden pipes or cables in the wall before drilling.
- If using power tools (e.g. to drill holes) wear safety glasses and always disconnect tools from the power supply after use.
- If drilling holes in ceramic tiles use a piece of masking tape on the tile to stop the drill bit from slipping.
- DO NOT use your drill on hammer action when drilling holes in ceramic tiles.

## CARE & MAINTENANCE

- To prevent the formation of water spots on the glass, use the squeegee supplied in the installation fixing pack to wipe down the glass after every shower.
- Always use plenty of water and a soft cloth or sponge to wipe down all aluminium sections and plastic parts.
- Do not use any solvents or abrasive chemicals to clean this product.
- We recommend that this product is cleaned with Showerlux 'Showerclean' once a week. This will help to reduce the build up of lime scale.



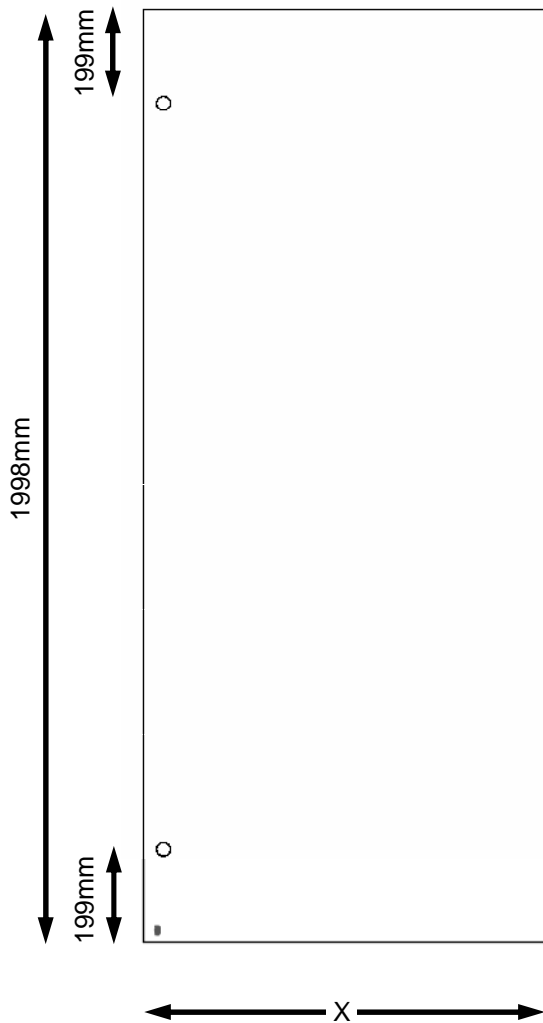
## DESIGNA WET PANEL CONTENTS

 <b>A</b> 50mm screw x 4	 <b>B</b> Centre punch x 1	 <b>C</b> Protection Strip x 1	 <b>D</b> Glass squeegee x 1
 <b>E</b> Flat Spacer x 2	 <b>F</b> Tapered spacer x 2	 <b>G</b> 55mm Wall plug x 4	 <b>H</b> 40mm wall plug x 1
 <b>I</b> 4&5mm hexagon key x 1/1	 <b>J</b> Screw cap cover x 1	 <b>K</b> 2.8mm drill bit x 1	 <b>L</b> Wall bracket cover x 2
 <b>M</b> Wall channel cap x 1	 <b>N</b> End cover cap x 1	 <b>O</b> Wall bracket x 1	 <b>P</b> 10mm screw x 1
 <b>Q</b> 40mm screw x 1	 <b>R</b> Measuring tool x 1		

## EQUIPMENT REQUIRED

- Crosshead screwdriver • Drill • Suitable masonry drill bit • Hammer • Tape measure • Pencil
- Fine tooth saw • Sharp knife • Spirit level • Masking tape • De-greaser • Silicone sealant

CODE	PRODUCT DESCRIPTION (PACK SIZE)	PHYSICAL GLASS SIZES
19760011	DESIGNA FLAT WET ROOM PNL 600mm	566mm
19760000	DESIGNA FLAT WET ROOM PNL 700mm	666mm
19760001	DESIGNA FLAT WET ROOM PNL 760mm	726mm
19760002	DESIGNA FLAT WET ROOM PNL 800mm	766mm
19760003	DESIGNA FLAT WET ROOM PNL 900mm	866mm
19760004	DESIGNA FLAT WET ROOM PNL 1000mm	966mm
19760005	DESIGNA FLAT WET ROOM PNL 1100mm	1066mm
19760006	DESIGNA FLAT WET ROOM PNL 1200mm	1166mm
19760007	DESIGNA FLAT WET ROOM PNL 1300mm	1266mm
19760008	DESIGNA FLAT WET ROOM PNL 1400mm	1366mm
19760009	DESIGNA FLAT WET ROOM PNL 1500mm	1466mm
19760010	DESIGNA FLAT WET ROOM PNL 1600mm	1566mm

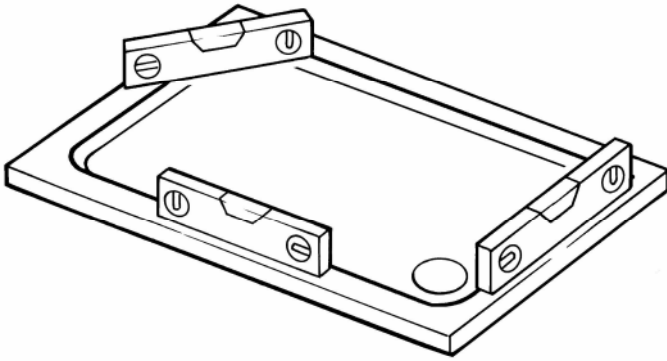


The wet room panel when fitting can be orientated either way around.

Ensure that the glass does not make direct contact with tiles where possible. Contact can be avoided by fitting the protection strip as shown within the installation instructions.

**NOTE: Physical glass sizes are different from pack sizes, as shown above.**

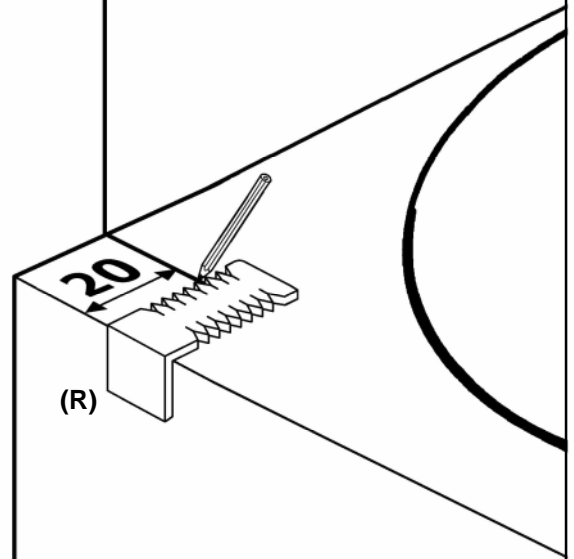
### STEP 1



Where a tray is used check that the tray is level in all directions as shown above.

If a tray is not being used then proceed to **step 2**.

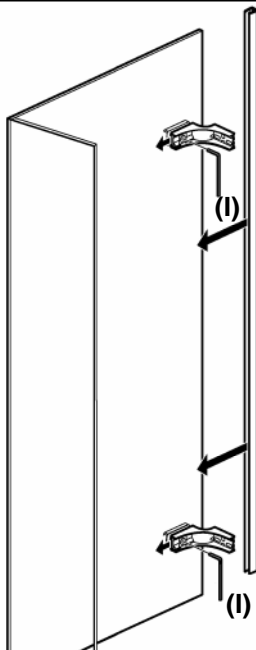
### STEP 2



From the outer edge of the tray use the measuring tool (R) to create a pencil line **10mm** in as shown.

Where a tray is not used mark a line 90 degrees from the wall to ensure a panel location.

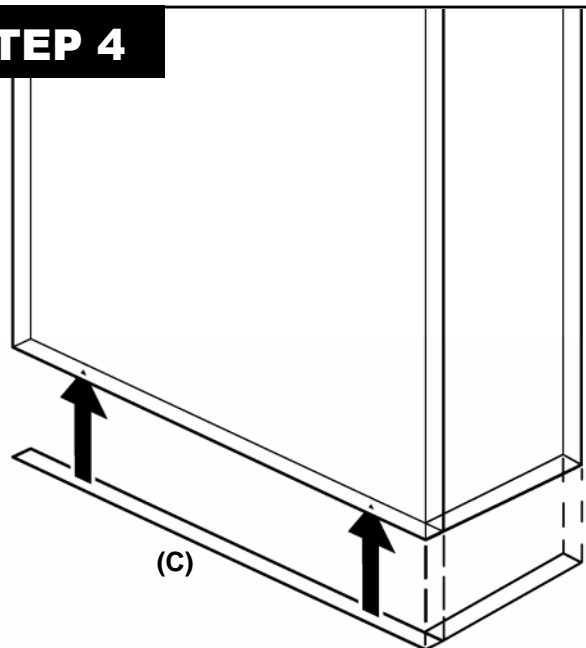
### STEP 3



These panels can be fitted with either a wall profile (if the wall is not perfectly vertical or bowed) or without if the wall is perfectly vertical.

Use a diluted soapy water solution on the edge of the glass. Push the profile onto the glass. Slacken the wall bracket screws with the supplied **5mm** hexagon key (I) to allow the brackets to slide forward.

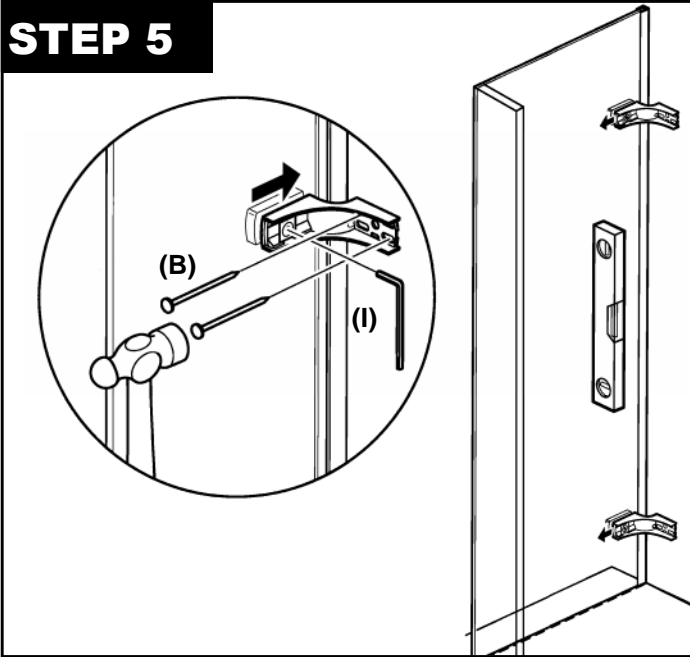
### STEP 4



Clean the bottom edge of the fixed panel with white spirits, and ensure that the edge is dry. Ensure that the protection strip (C) is the correct length and, if required, trim using a sharp blade.

Remove the self adhesive backing on the strip (C) and attach to the bottom edge of the fixed hinge panel.

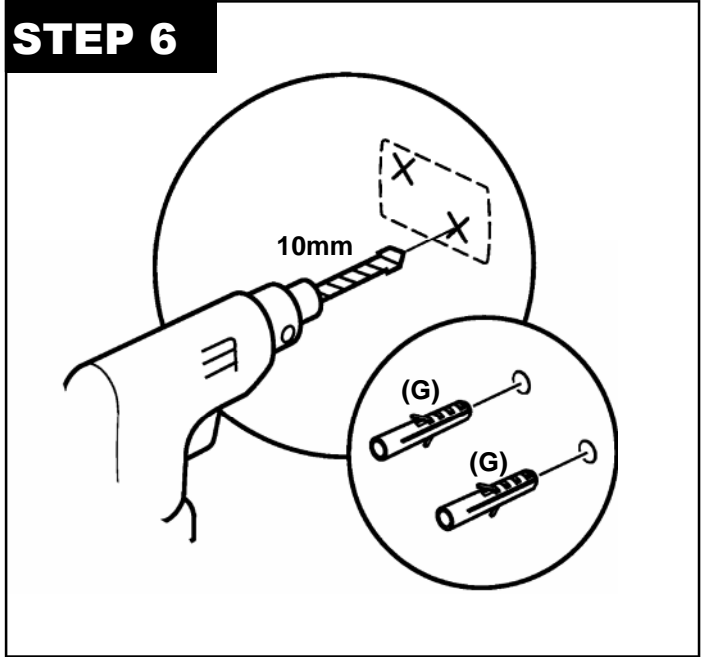
## STEP 5



Position the panel onto the horizontal line as drawn in **step 2** and against the wall, ensuring that the panel is perfectly vertical. Check to ensure the panel is in alignment with the horizontal line before proceeding.  
Brackets may be loosened using a **5mm** hexagon key **(I)** for alignment. Mark off the screw hole positions on the tiles (*in an upper and lower hole of each bracket*), place the panel in a safe location.

Using the centre punch **(B)** mark off the holes as shown.

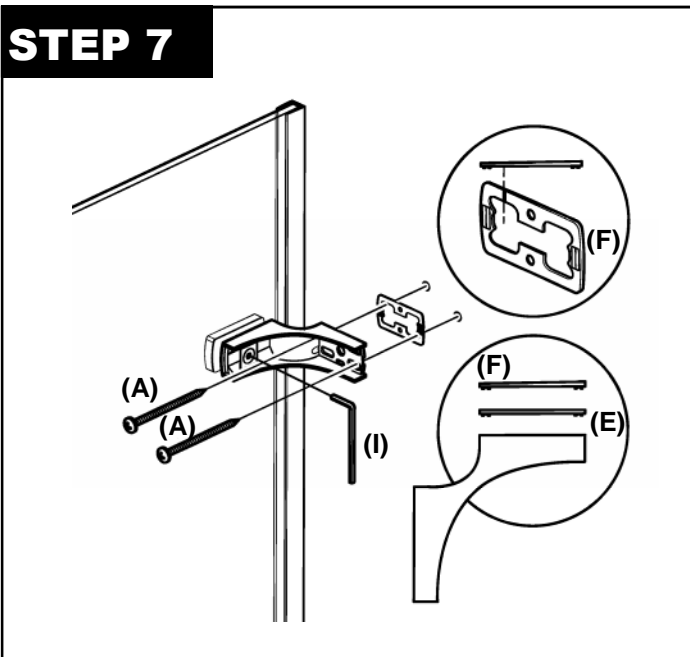
## STEP 6



Using a **10mm** diameter masonry drill bit, drill the marked holes to **60mm** depth.

Once holes are drilled insert the **10mm** wall plugs **(G)**.

## STEP 7



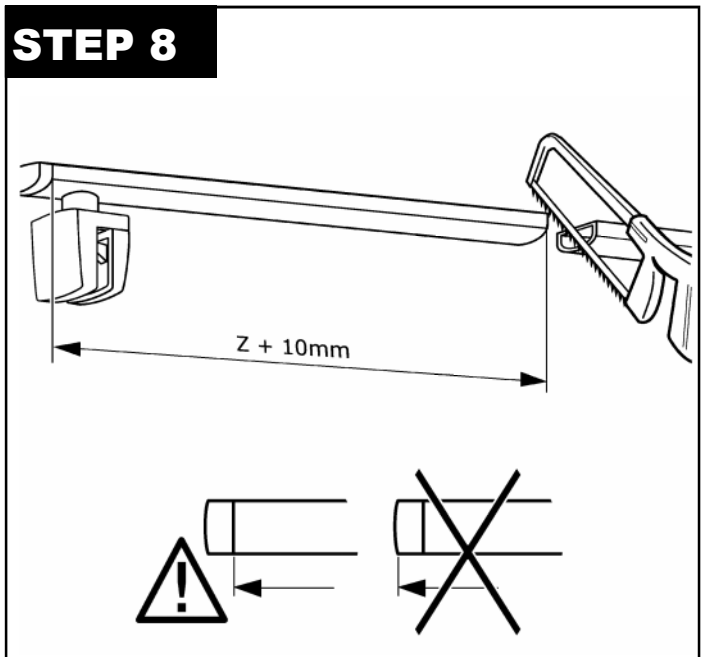
Reposition the panel onto the horizontal line and insert screws **(A)** through the wall brackets and position one flat spacer **(E)** onto the face of the wall brackets. If required, the tapered spacers **(F)** can be used to make up for any angular differences in the tiles.

While keeping the panel vertical, screw the panel to the wall.

Tighten the brackets using the hexagon key **(I)** ensuring the panel is vertical.

If a wall profile was used, push the profile back to the wall along its full length.

## STEP 8

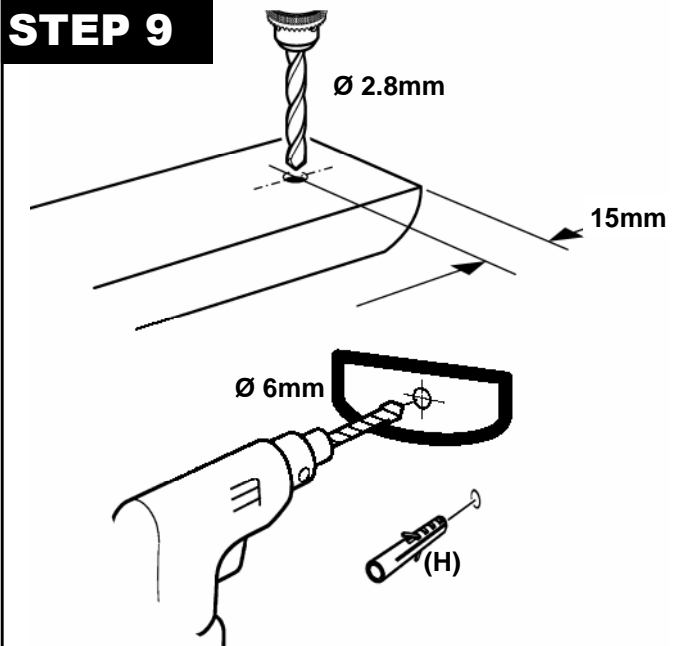


Keeping the panel vertical measure the distance from the wall to the outer edge of the glass. Add a further **10mm** to the "Z" dimension and mark the brace bar.

Using a fine tooth saw cut the brace bar to the desired length **(Z+10mm)** as shown above

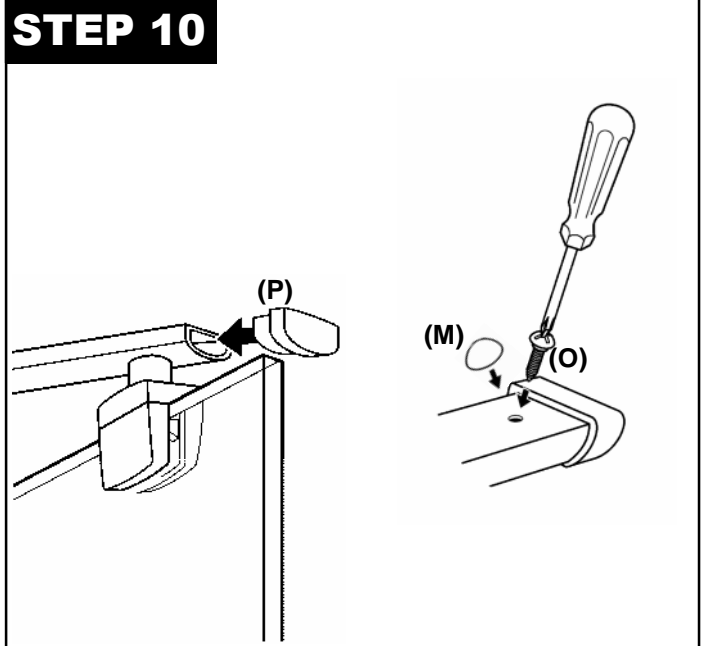
**TIP: Place masking tape over the profile prior to cutting**

## STEP 9



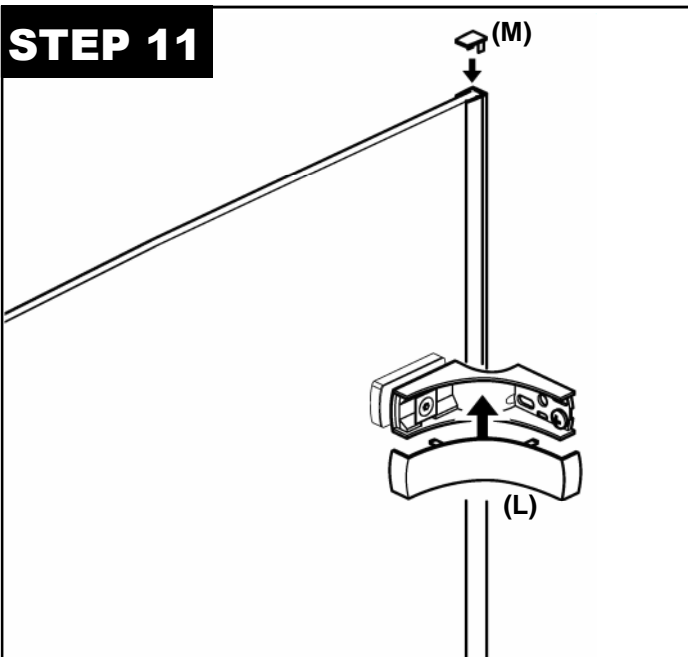
Insert the wall bracket (O) into the brace bar, open the clamp and mount the brace bar on the glass. While holding the brace bar horizontal, mark around the wall bracket (O) using a pencil. Place the brace bar on the ground and remove the wall bracket (O) from the support bar. Offer the wall bracket up to the previously marked outline and mark off using the centre punch (B). Follow step 6 using a 6mm diameter drill bit and the supplied wall plug (K). Drill the brace bar in 15mm centrally to a depth of 10mm. Mount to the wall using supplied 40mm screw (Q).

## STEP 10



Screw the 10mm screw (O) into position as shown and push fit the cover cap (M).

## STEP 11

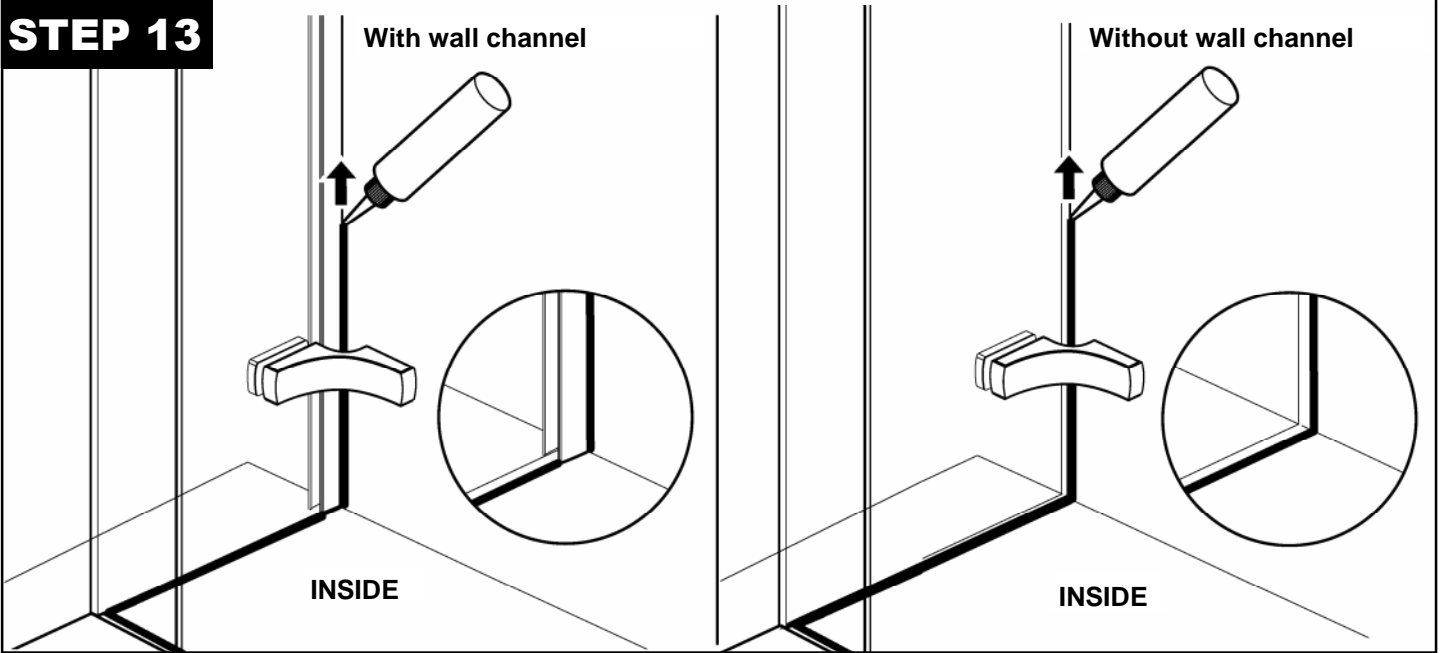


Once the panel is fitted and all the screws have been tightened, push fit the two wall brackets (L) as shown.

Push the wall profile back to the wall.

If the wall profile has been used, then fit the wall channel cap (M) as shown.

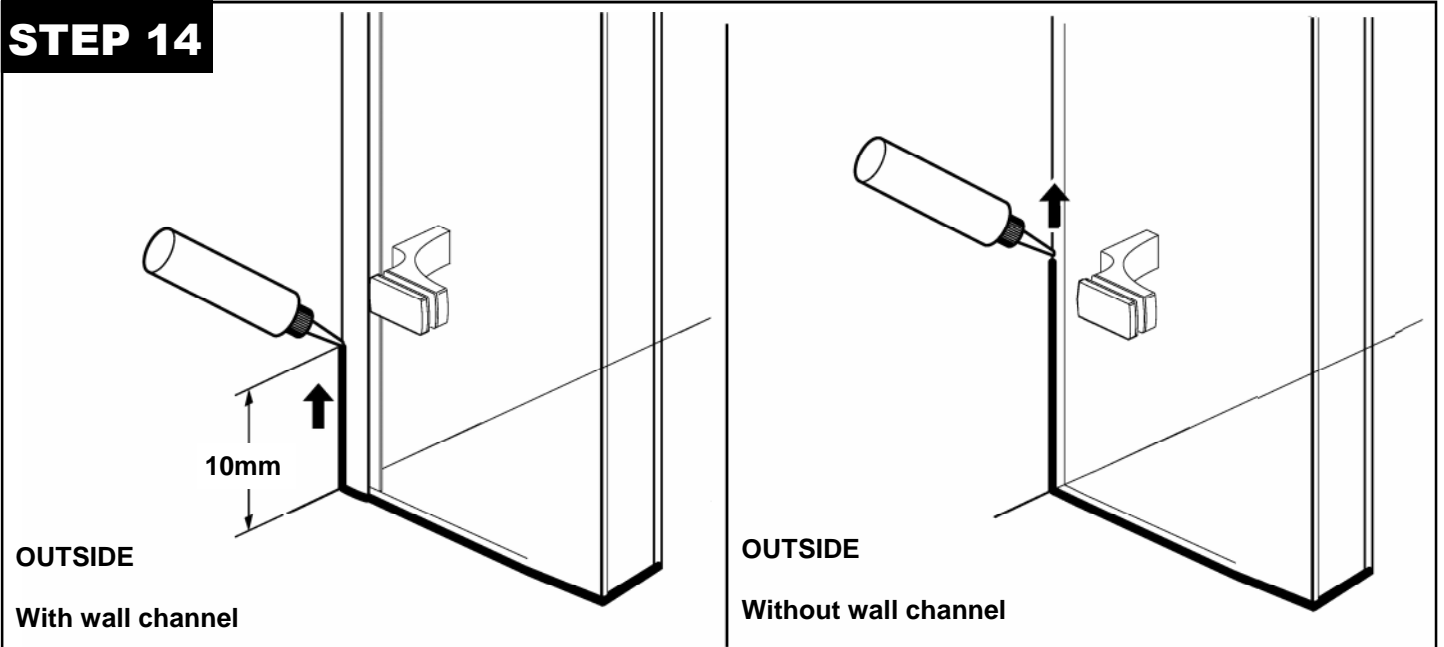
**STEP 13**



From the inside of the enclosure, silicone the entire vertical length of the wall channel / edge of the fixed panel up against the wall. Silicone along the bottom horizontal edge of the panel ensuring a full coverage.

**IMPORTANT: DO NOT seal horizontally along the bottom of the wall channel if fitted.**

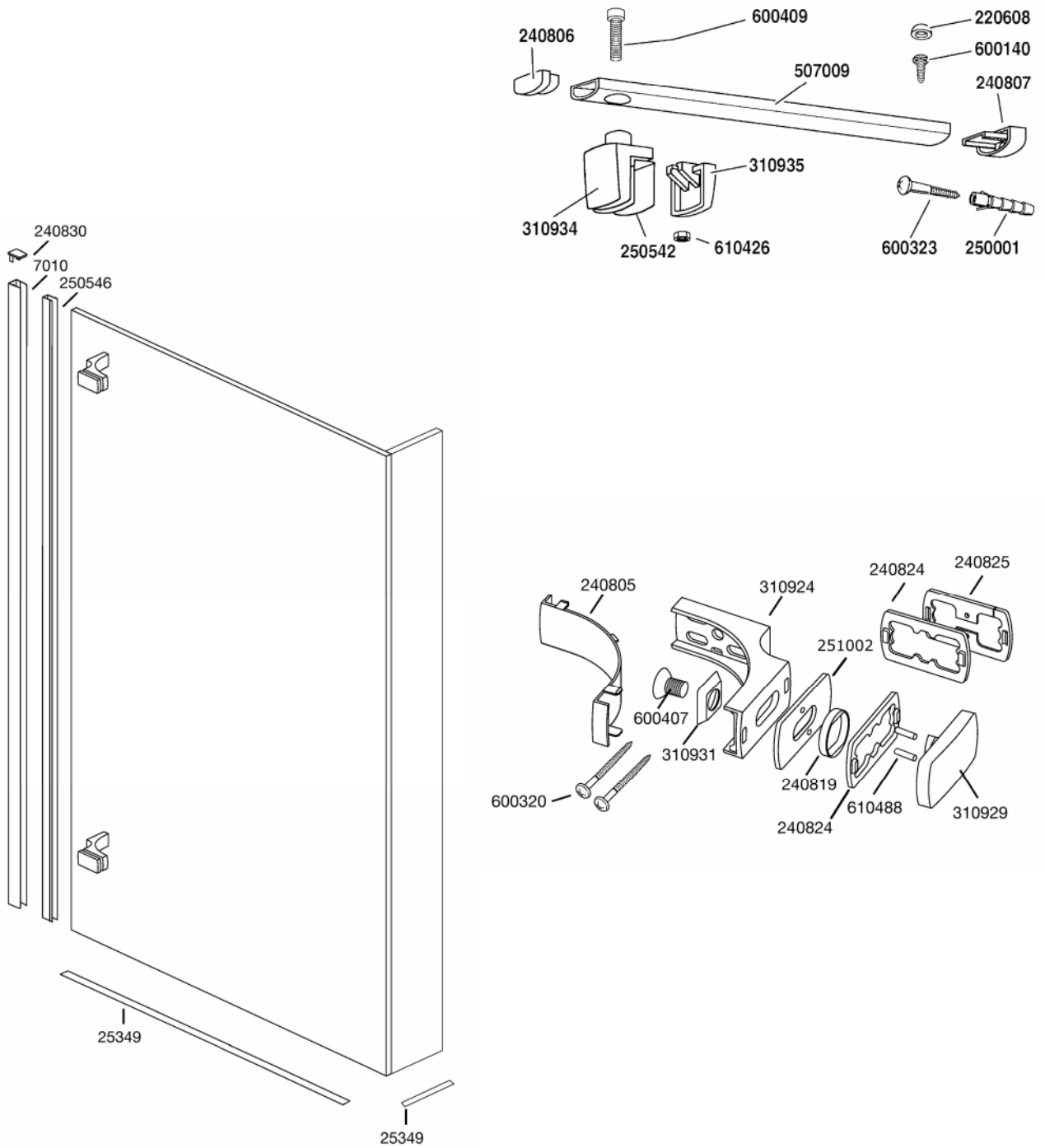
**STEP 14**



**With wall channel:** From the outside of the enclosure, silicone **10cm** up the wall channel against the wall. Silicone along the bottom horizontal edge of the panel ensuring a full coverage.

**Without wall channel:** From the outside of the enclosure, silicone up the entire vertical length of the edge of the fixed panel against the wall. Silicone along the bottom horizontal edge of the panel ensuring a full coverage.

# DESIGNA ULTRABOND WALK-IN & WETROOM









**SHOWERLUX HELPLINE: 02476 882518**

Fax: 02476 882539  
Email: [technical@showerlux.co.uk](mailto:technical@showerlux.co.uk)  
Email: [spares@showerlux.co.uk](mailto:spares@showerlux.co.uk)

**SHOWERLUX (UK) Ltd.**

Sibree Road, Coventry, West Midlands CV3 4FD  
Tel: 02476 639400  
Fax: 02476 305457

Due to a policy of continuous improvement and product development, ShowerLux UK Limited reserves the right to amend specifications without notice